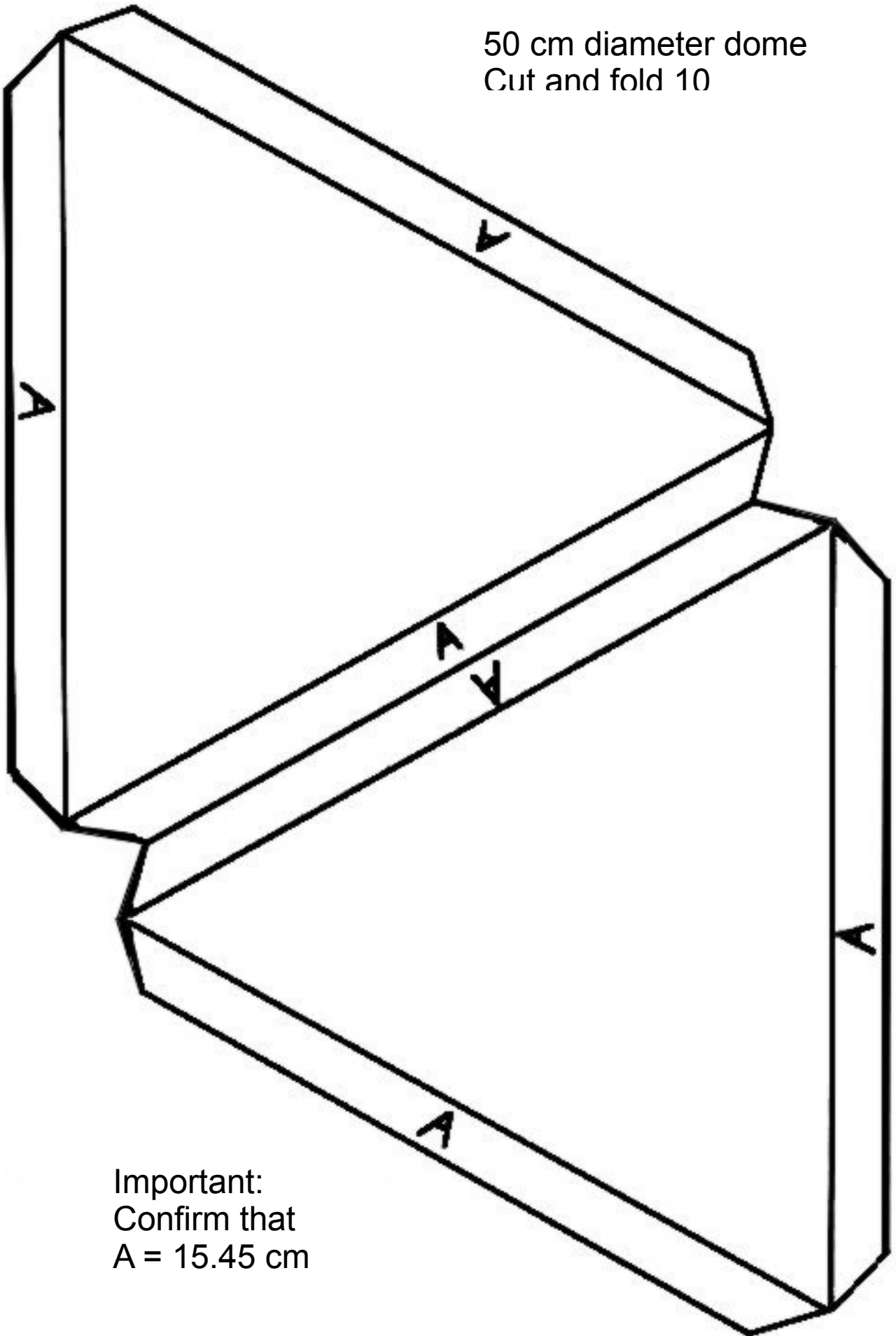
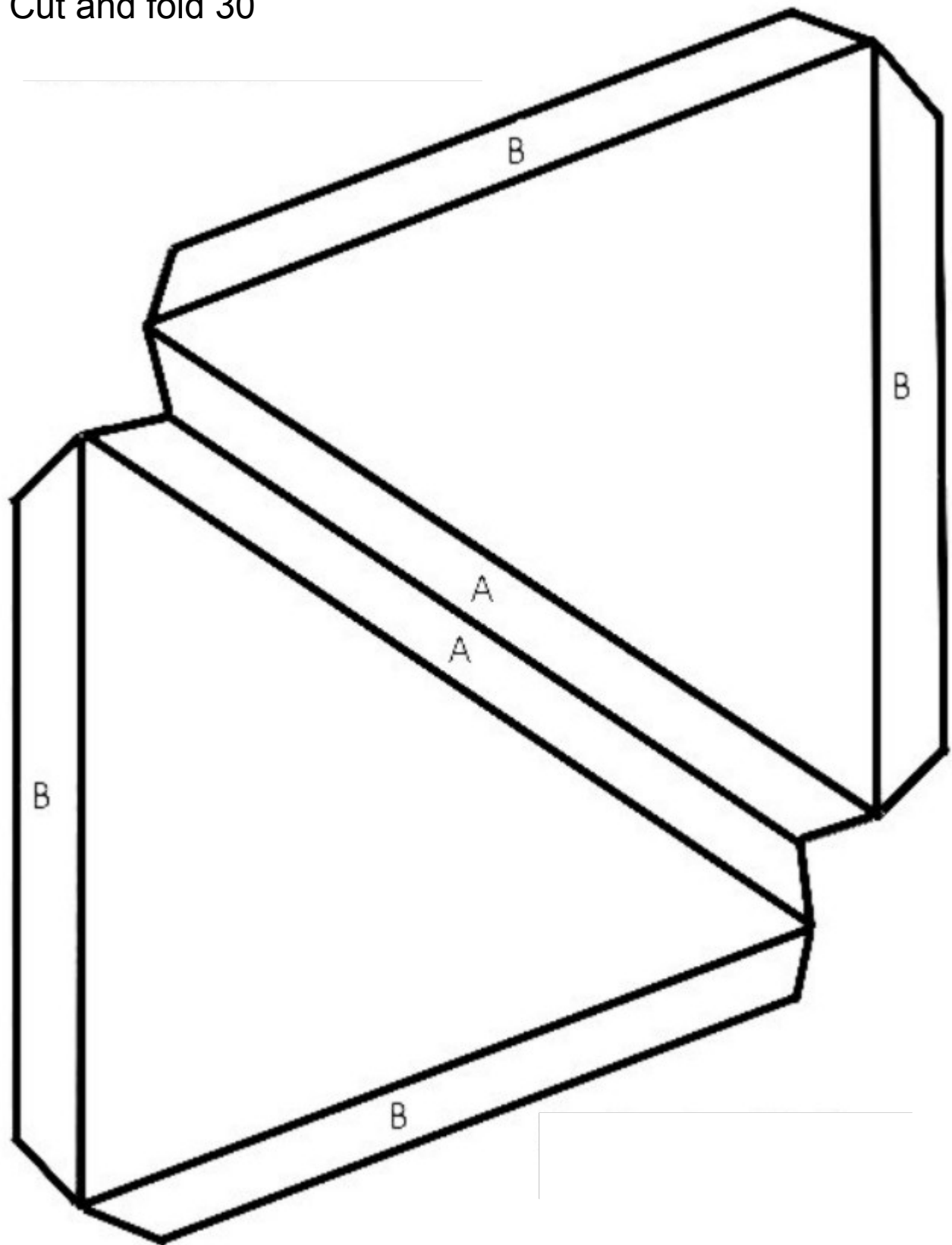


50 cm diameter dome
Cut and fold 10



Important:
Confirm that
 $A = 15.45 \text{ cm}$

Elements for 50 cm dome
Cut and fold 30



Important confirm size of elements
 $A = 15.45 \text{ cm}$, $B = 13.66 \text{ cm}$